



75 GHz 64 CH Flat-Top AAWG

Rev Z04

Description

75 GHz 64 CH Flat-Top AAWG Module.

Key Features

- 64-Channel High-Density Multiplexing and Splitting
- High Isolation, Low Crosstalk

Applications

- Data Center Interconnect (DCI)
- 5G/6G Carries Fronthaul and Backhaul Networks

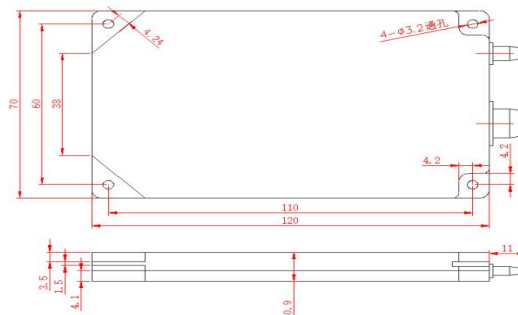
Specifications

Parameter		Unit	Value
Channel Number		-	64
Channel Spacing		GHz	75
Reference Passband		GHz	± 9
Wavelength Accuracy		PM	± 50
Insertion Loss		dB	≤ 6.0
Insertion Loss Uniformity		dB	≤ 1.5
Passband Ripple		dB	≤ 0.5
Bandwidth @ 1dB		nm	≥ 0.4
Bandwidth @ 3dB		nm	≥ 0.6
Isolation Adjacent Channels		dB	≥ 10
Isolation Non-adjacent Channels		dB	≥ 30
Total crosstalk		dB	≥ 7
PDL		dB	≤ 0.7
Return Loss		dB	≥ 40
Operation Temperature		$^{\circ}\text{C}$	- 5~65
Storage Temperature		$^{\circ}\text{C}$	- 40~85
Fiber Type		-	SMF28e, with 0.9 mm loose tube fiber
Fiber Length	Common Fiber	MM	500 ± 50 or customized
	Ribbon Fiber	MM	500 ± 50 or customized
	Fan-Out	MM	500 ± 50 or customized
Optical Connectors		-	LC/UPC or customized

Note:

1.Insertion Loss is excluding connector loss.

Package Dimensions



NO	Frequency(GHz)	Wavelength(nm)	NO	Frequency(GHz)	Wavelength(nm)
CH1	196.1	1528.773	CH33	193.7	1547.715
CH2	196.025	1529.358	CH34	193.625	1548.315
CH3	195.95	1529.944	CH35	193.55	1548.915
CH4	195.875	1530.529	CH36	193.475	1549.515
CH5	195.8	1531.116	CH37	193.4	1550.116
CH6	195.725	1531.702	CH38	193.325	1550.717
CH7	195.65	1532.29	CH39	193.25	1551.319
CH8	195.575	1532.877	CH40	193.175	1551.922
CH9	195.5	1533.465	CH41	193.1	1552.524
CH10	195.425	1534.054	CH42	193.025	1553.128
CH11	195.35	1534.643	CH43	192.95	1553.731
CH12	195.275	1535.232	CH44	192.875	1554.335
CH13	195.2	1535.822	CH45	192.8	1554.94
CH14	195.125	1536.412	CH46	192.725	1555.545
CH15	195.05	1537.003	CH47	192.65	1556.151
CH16	194.975	1537.594	CH48	192.575	1556.757
CH17	194.9	1538.186	CH49	192.5	1557.363
CH18	194.825	1538.778	CH50	192.425	1557.97
CH19	194.75	1539.371	CH51	192.35	1558.578
CH20	194.675	1539.964	CH52	192.275	1559.186
CH21	194.6	1540.557	CH53	192.2	1559.794
CH22	194.525	1541.151	CH54	192.125	1560.403
CH23	194.45	1541.746	CH55	192.05	1561.013
CH24	194.375	1542.341	CH56	191.975	1561.622
CH25	194.3	1542.936	CH57	191.9	1562.233
CH26	194.225	1543.532	CH58	191.825	1562.844
CH27	194.15	1544.128	CH59	191.75	1563.455
CH28	194.075	1544.725	CH60	191.675	1564.067
CH29	194	1545.322	CH61	191.6	1564.679
CH30	193.925	1545.92	CH62	191.525	1565.292
CH31	193.85	1546.518	CH63	191.45	1565.905
CH32	193.775	1547.116	CH64	191.375	1566.518

Ordering Information

AWG-①-②-③-④

①: Channel Spacing

5 - 50G

7 - 75G

1 - 100G

②: Channel Count

40 - 40CH

48 - 48CH

64 - 64CH

③: DWDM Channel

13 - 1528.773~1566.518

④: Connector Type

U - LC/UPC

A - LC/APC